




PRODUCT SPECIFICATION

Model No: CSPR-U329YL4-D0R

Descriptions:	
■ Product Type	: Superbright Lamp
■ LED Package	: Piranha LED Lamp
■ Emitting Color	: Yellow
■ Viewing Angle	: 50°
■ Stopper	



CUSTOMER APPROVED SIGNATURES	APPROVED BY	CHECKED BY	PREPARED BY
			

OPTO PLUS TECHNOLOGIES CO.,LTD

Address : No.696, Yangming North Rd., ShaoXing

City,ZheJiang Province,P.R.China

Tel : 86-575-88623888

Fax : 86-575-88623112

<http://www.csbright.com>

Model No.: CSPR-U329YL4-D0R

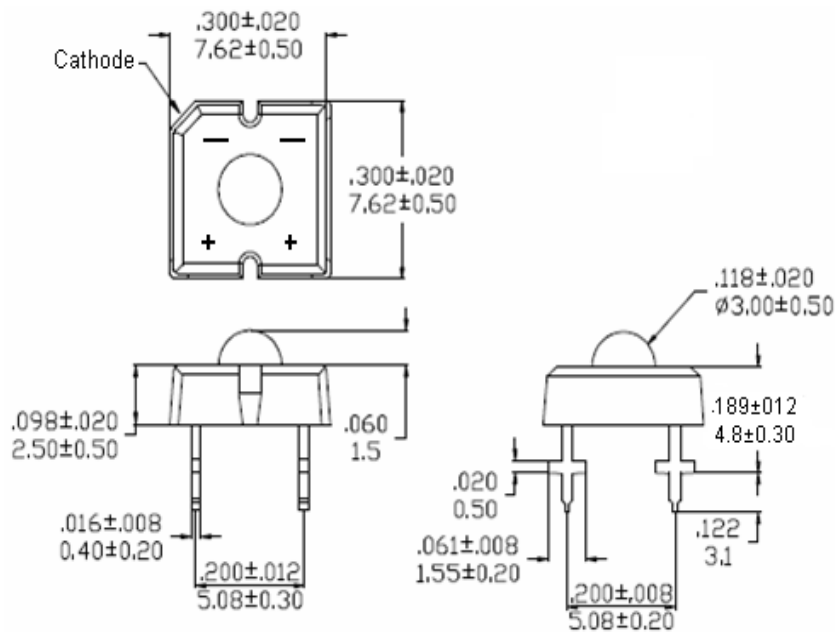
■ **Feature**

1. High Current Operation
2. High Luminous Output.
3. High Reliability and Solid.
4. Optimal Optical/Mechanical Design.
5. Packaged in Tubes for Use with Automatic
6. RoHS compliant.

■ **Device Selection Guide**

Part No.	Chip Material	Color	
		Emitted	Lens Resin
CSPR-U329YL4-D0R	AlInGaP	Yellow	Water Transparent

■ **Package Outline Dimensions -**



*Tolerance: ± $\frac{0.01}{0.25}$ Unit: ± $\frac{\text{inch}}{\text{mm}}$

Model No.: CSPR-U329YL4-D0R

■ **Absolute Maximum Ratings**

Parameter	Symbol	Rating	Unit
Power Dissipation	Pd	120	mW
Continuous Forward Current	I _f	50	mA
Peak Forward Current (Duty Cycle 1/10,1KHz) ^{*1}	I _{fP}	100	mA
Reverse Voltage	V _r	5	V
ESD Sensitivity	ESD	1000	V
Operating Temperature	Topr	-40~ +85°C	
Storage Temperature	Tstg	-40 ~ +100°C	
Lead Soldering Temperature	Tsol	Max. 260 for 5 sec Max. (1.6mm from the epoxy body)	

Note:

1. Pulse width \leq 0.1 msec, duty \leq 1/10.
2. Proper current rating must be observed to maintain junction temperature below the maximum at all the time.

■ **Electrical / Optical Characteristic**

Parameter	Symbol	Min	Typ	Max	Unit	Condition
Luminous Intensity*	Iv[1]	4120	-----	-----	mcd	If = 50mA
	Iv[2]	9600	-----	-----		
Forward Voltage	Vf	-----	2.2	2.8	V	
Dominant Wavelength	λ_d	-----	590	-----	nm	
Viewing Angle	2 θ 1/2	-----	50	-----	Deg	
Reverse Current	I _r	-----	-----	50	μ A	V _r = 5V

*IV[1]Luminous intensity value is traceable to CIE127-2007 standards, and IV [2] is the old standard

Notes:

1. Tolerance of measurement of luminous intensity : \pm 15%;
2. Tolerance of measurement of dominant wavelength: \pm 2nm;
3. Tolerance of measurement of forward voltage: \pm 0.1v;
4. All data are measured by OPT's test equipment.
5. One delivery will include several color rank, VF rank and Iv ranks of the products.
6. The quantity-ratio of the ranks is decided by OPT.

Model No.: CSPR-U329YL4-D0R

■ **Electrical / Optical Characteristics Curves (Ta = 25°C Unless Otherwise Noted)**

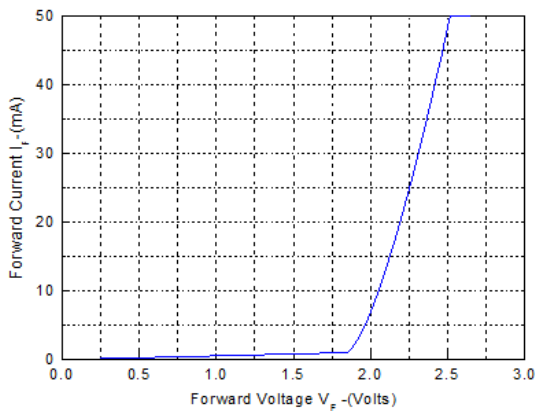


Figure1. Forward Current VS. Forward Voltage

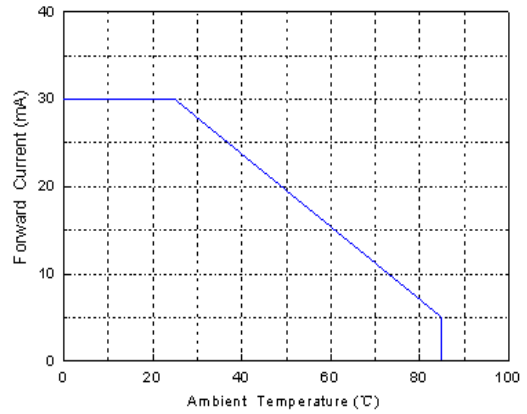


Figure2. Forward Current VS. Ambient Temperature;

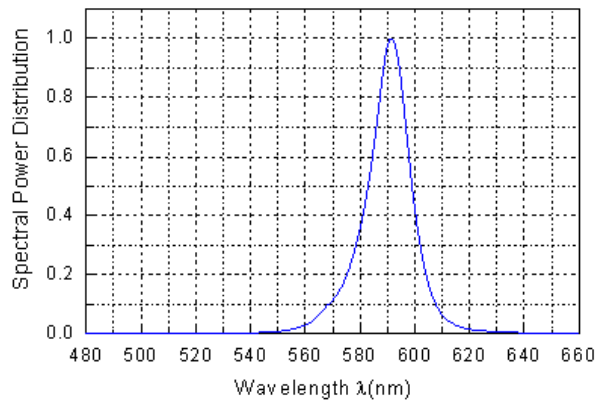


Figure3. Spectral Power Distribution VS. Wavelength

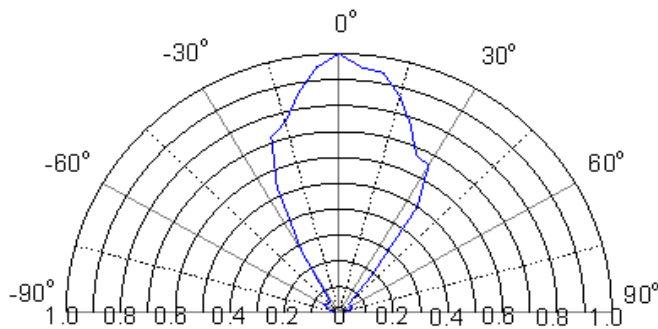


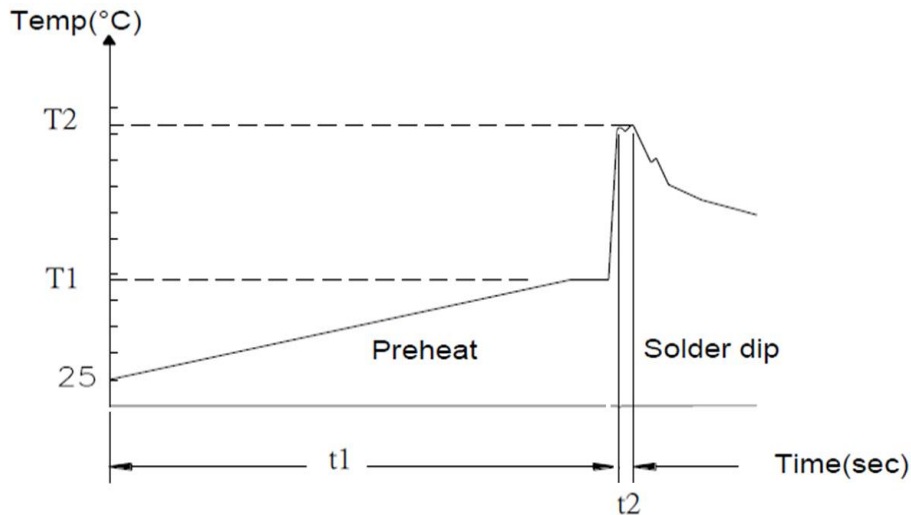
Figure4. Relative Luminosity VS. Radiation Angle

Model No.: CSPR-U329YL4-D0R

■ Precautions For Use

1. Wave Soldering Profile

.Distance : 1.6 mm min (From seating plane)



Item	Condition		Notes
Preheat	Temp. T1	120-180 °C	PWB temperature
	time t1	60-180 sec	(soldering side surface)
Solder Dip	Temp. T2	230-260 °C	Bath temperature
	time t2	2-4 sec	Solder tank passage time

2. Hand Soldering (Iron Condition)

- 2.1 Soldering Iron: 30W Max
- 2.2 Temperature 350°C Max (iron tip 260°C Max)
- 2.3 Soldering Time: 3 Seconds Max (Once)
- 2.4 Distance: 1.6mm min (From seating plane)

Model No.: CSPR-U329YL4-D0R

3. Static Electricity

3.1 Static electricity or surge voltage damages LEDs.

It is recommended that a wrist band or an anti-electrostatic glove should be used when handling the LEDs.

3.2 All devices, equipment and machinery must be properly grounded. It is recommended that measures be taken against surge voltage to the equipment that mounts the LEDs.

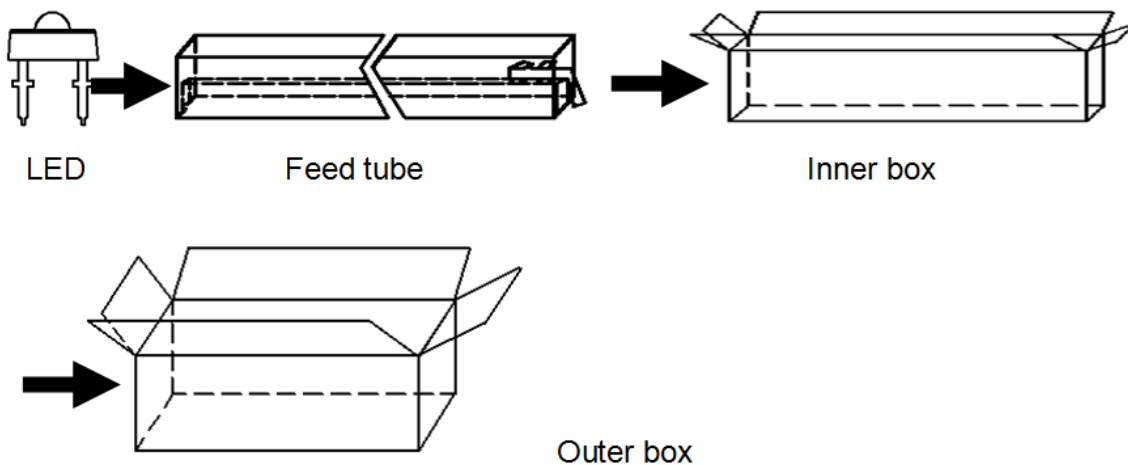
4. Storage

4.1 Shelf life: Within 18 months under following conditions.

Un-opened, at normal temperature / Normal relative humidity (+5~+30°C / 70%Rh.max.).

■ Package

Package Name	Package Dimension		Distribution of the layer or box		Total Mount	
	Size	Unit	Amount	Unit	Amount	Unit
Feed tube	485*8.5*13	mm	1	STR	60	PCS
Inner Box	495*100*50	mm	1	Box	1440	PCS
Outer Box	530*265*115	mm	1	Box	7200	PCS



Spec. No.	PS-PR-U329YL4-D0R
Rev.	C

Model No.: CSPR-U329YL4-D0R

■ **Change story-**

Rev.	Date	Change Description
A	2012/9/21	Original Version
B	2018/1/25	Format to update, Add different test standard Rank Limits
C	2023/03/15	Delete CS bright corporation's address;

Please confirm with OPT salesman, if your request different form standard specification.