




# PRODUCT SPECIFICATION

**Model No: CSLR-U305HR4-B0**

Descriptions:	
■ Product Type	: Lighting LED Lamp
■ LED Package	: Round LED Lamp
■ Emitting Color	: Red
■ Viewing Angle	: 30°
■ No Stopper	



CUSTOMER APPROVED SIGNATURES	APPROVED BY	CHECKED BY	PREPARED BY
			

**OPTO PLUS TECHNOLOGIES CO.,LTD**

Address : No.696, Yangming North Rd., ShaoXing  
 City,ZheJiang Province,P.R.China

Tel : 86-575-88623888

Fax : 86-575-88623112

<http://www.csbright.com>

**Model No.: CSLR-U305HR4-B0**

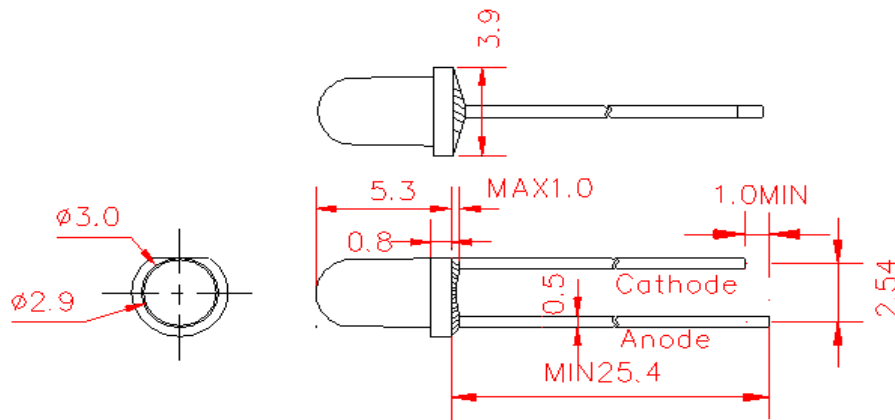
■ **Feature**

1. Low Power Consumption.
2. High Luminous Output RoHS compliant.
3. High Reliability and Solid Performance
4. Optimal Optical/Mechanical Design
5. Rohs Compliant

■ **Device Selection Guide**

Part No.	Chip	Color	
	Material	Emitted	Resin
CSLR-U305HR4-B0	AllnGaP	Red	Water Transparent

■ **Package Outline Dimensions**



\*Tolerance :  $\pm \frac{0.01}{0.25}$  Unit :  $\pm \frac{\text{inch}}{\text{mm}}$

**Model No.: CSLR-U305HR4-B0**

■ **Absolute Maximum Ratings**

**(Ta=25°C)**

Parameter	Symbol	Rating	Unit
Power Dissipation	Pd	72	mW
Continuous Forward Current	I <sub>f</sub>	30	mA
Peak Forward Current (Duty Cycle 1/10,1KHz)*	I <sub>fP</sub>	100	mA
Reverse Voltage	V <sub>r</sub>	5	V
ESD Sensitivity	ESD	1000	V
LED Junction Temperature*	T <sub>j</sub>	110	°C
Operating Temperature.	Topr	-40~ +85°C	
Storage Temperature.	Tstg	-40 ~ +100°C	
Lead Soldering Temperature	Tsol	Max. 260 for 5 sec Max. (1.6mm from the epoxy body)	

Notes: 1. Pulse width  $\leq$  0.1 msec, duty  $\leq$  1/10

2. Proper current rating must be observed to maintain junction temperature below the maximum at all the time.

**Model No.: CSLR-U305HR4-B0**

■ **Electrical / Optical Characteristics**

Parameter	Symbol	Min	Typ	Max	Unit	Condition
Forward Voltage	$V_f$	-----	2.1	2.6	V	If = 20mA
Luminous Intensity*	Iv	1440	2880	-----	mcd	
Dominant Wavelength	$\lambda_d$	-----	625	-----	nm	
Viewing Angle	$2\theta_{1/2}$	-----	30	-----	Deg	
Reverse Current	Ir	-----	-----	50	$\mu$ A	Vr = 5V
ESD Sensitivity	HBM	-----	-----	1000	V	MIL-STD-833G

\* Luminous intensity value is traceable to CIE127-2007 standards

**Model No.: CSLR-U305HR4-B0**

■ **Luminous Intensity Rank Limits (If = 20mA)**

Bin Code	Min	Max	Unit
29	1440	1800	mcd
30	1800	2300	
31	2300	3000	
32	3000	3900	
33	3900	5100	
34	5100	6800	

■ **Dominant Wavelength Rank Limits(If = 20mA)**

Bin Code	Min	Max	Unit
A6	616	620	nm
R1	620	625	
R2	625	630	
R3	630	635	

■ **Forward Voltage Rank Limits(If = 20mA)**

Bin Code	Min	Max	Unit
B	1.6	1.8	v
C	1.8	2.0	
D	2.0	2.2	
E	2.2	2.4	
F	2.4	2.6	

**Notes:**

1. Tolerance of measurement of luminous intensity :±15%;
2. Tolerance of measurement of dominant wavelength:±2nm;
3. Tolerance of measurement of forward voltage:±0.1v;
4. All data are measured by OPT's test equipment.
5. One delivery will include several color rank, VF rank and Iv ranks of the products.
6. The quantity-ratio of the ranks is decided by OPT.

**Model No.: CSLR-U305HR4-B0**

■ **Electrical / Optical Characteristics Curves (Ta = 25°C Unless Otherwise Noted)**

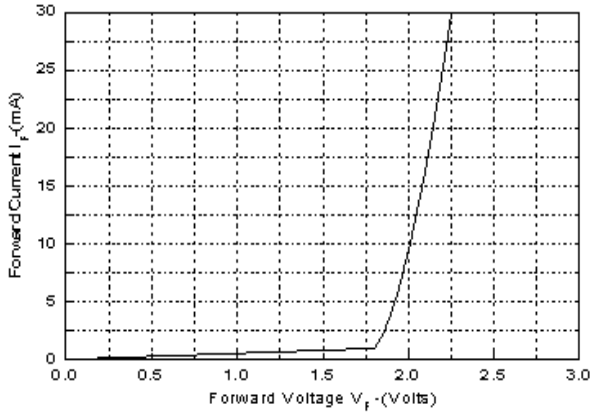


Figure1. Forward Current VS. Forward Voltage

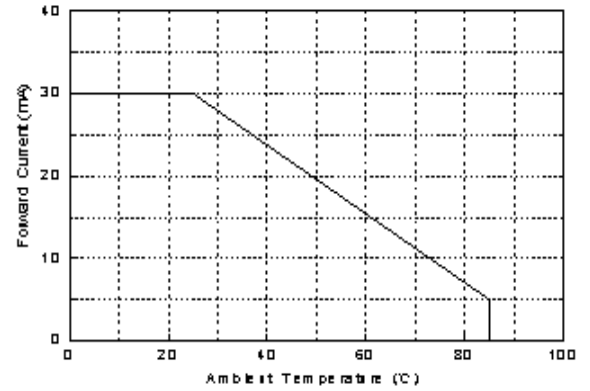


Figure2. Forward Current vs. Ambient Temperature

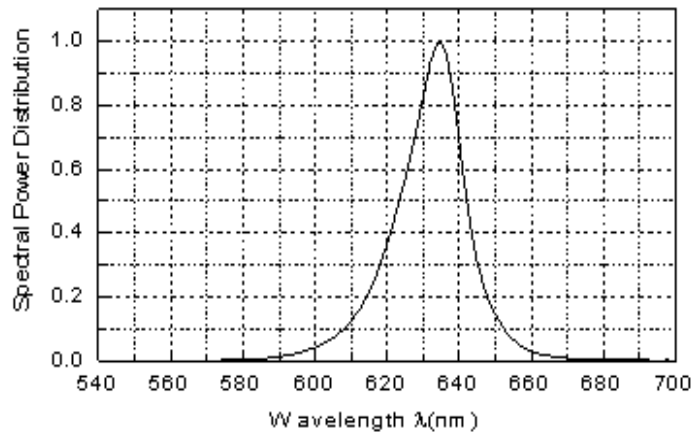


Figure3. Spectral Power Distribution vs. Wavelength

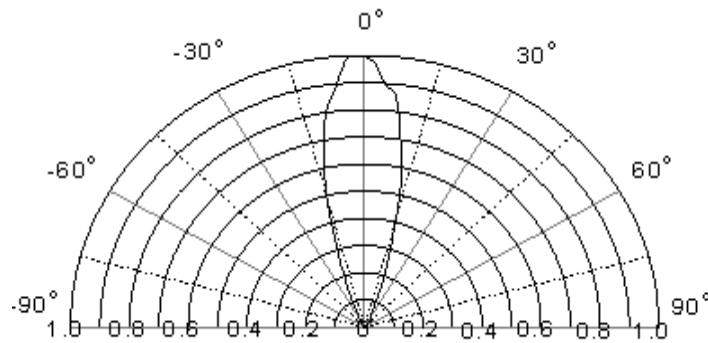


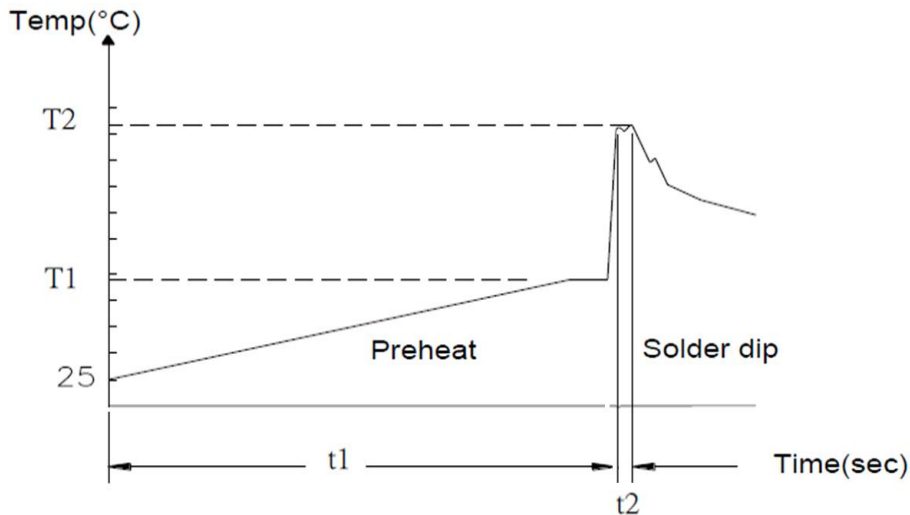
Figure4. Relative Luminosity VS. Radiation Angle

**Model No.: CSLR-U305HR4-B0**

■ **Precautions For Use**

1. Wave Soldering Profile

.Distance : 1.6 mm min (From seating plane)



Item	Condition		Notes
Preheat	Temp. T1	120-180 °C	PWB temperature
	time t1	60-180 sec	(soldering side surface)
Solder Dip	Temp. T2	230-260 °C	Bath temperature
	time t2	2-4 sec	Solder tank passage time

2. Hand Soldering (Iron Condition)

- 2.1 Soldering Iron: 30W Max
- 2.2 Temperature 350°C Max (iron tip 260°C Max)
- 2.3 Soldering Time: 3 Seconds Max (Once)
- 2.4 Distance: 1.6mm min (From seating plane)

**Model No.: CSLR-U305HR4-B0**

**3. Static Electricity**

3.1 Static electricity or surge voltage damages LEDs.

It is recommended that a wrist band or an anti-electrostatic glove should be used when handling the LEDs.

3.2 All devices, equipment and machinery must be properly grounded. It is recommended that measures be taken against surge voltage to the equipment that mounts the LEDs.

**4. Storage**

4.1 Shelf life: Within 18 months under following conditions.

Un-opened, at normal temperature / Normal relative humidity ( +5~+30°C / 70%Rh.max. ).

**■ Reliability Test Program/ Reliability Test Item Tests and Results**

NO.	Test Item	Standard Test Method	Test Conditions	Test Duration	Failure Criteria	Units Failed/Tested
1	OPERATION LIFE	JESD22-A108	Ta= UNDER ROOM TEMPERATURE IF=20MA	1000HRS	#2	0/20
2	HIGH TEMPERATURE HIGH HUMIDITY BURN-IN	JEITA ED-4701/102A MIL-STD-750 1026 MIL-STD-830 1005	Ta=85°C RH= 85% IF=5MA	1000HRS	#2	0/20
3	LOW TEMPERATURE STORAGE	JEITA ED-4701/202A MIL-STD-750 1026 MIL-STD-830 1005	Ta= -55±5°C	1000HRS	#1	0/20
4	THERMAL SHOCK	JEITA ED-4701/307B MIL-STD-202	-55°C ± 5°C ~ 105°C ± 5°C 10mins 10mins	100 CYCLES	#1	0/20
5	SOLDERABILITY	JEITA ED-4701/303A MIL-STD-202(210F)	LEAD FREE:T.sol= 245 ± 5°C(SnCu) DWELL TIME= 5± 1secs		#3	0/20

Notes:

Measurements are performed after allowing the LEDs to return to room temperature.



**Model No.: CSLR-U305HR4-B0**

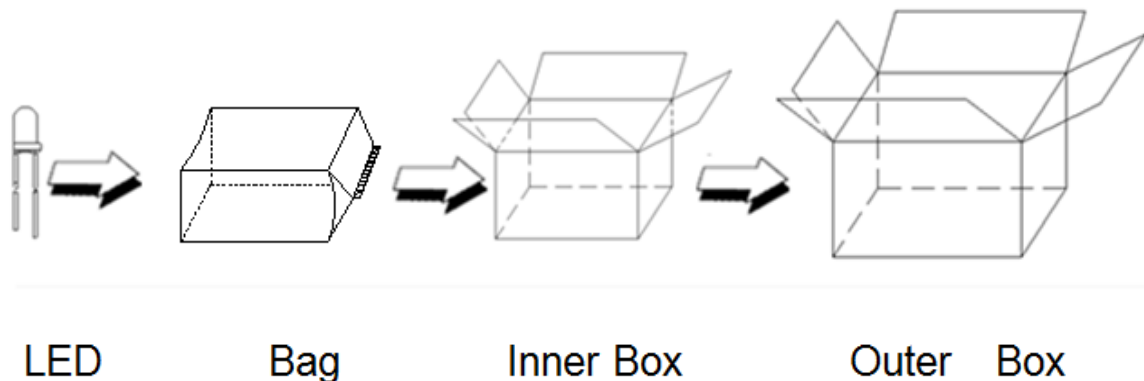
**Failure Criteria**

Criteria #	Items	Conditions	Failure Criteria
#1	Forward Voltage(Vf)	IF=20mA	>U.S.L.X1.1
	Luminous Intensity(Iv)	IF=20mA	<L.S.L.X0.7
#2	Forward Voltage(Vf)	IF=20mA	>U.S.L.X1.1
	Luminous Intensity(Iv)	IF=20mA	<L.S.L.X0.5
#3	Solderability	/	Less than 95% solder coverage

U.S.L.: Upper Specification limit    L.S.L.: Lower Specification Limit

**Package –**

Package Name	Package Dimension		Distribution of the layer or box		Total Mount	
	Size	Unit	Amount	Unit	Amount	Unit
Bag	210*105*0.1	mm	1	Bag	1000	PCS
Inner Box	303x220x150	mm	1	Box	18000	PCS
Outer Box	470x330x320	mm	1	Box	72000	PCS



Spec. No.	PS-LR-U305HR4-B0
Rev.	D

**Model No.: CSLR-U305HR4-B0**

■ Change story-

Rev.	Date	Change Description
A	2009.08.17	New
B	2014.09.04	Increase brightness 33BIN&34BIN
C	2017.12.05	Format to update, Add different test standard Rank Limits
D	2023.03.15	1.Delete CS bright corporation's address; 2. Remove the IV2 test standard system..

Please confirm with OPT salesman, if your request different form standard specification.